

floodlighting - *Challenger*[®] 3 AL5900 series



A symmetrical distribution floodlight range, specially designed for lighting large sports stadia using corner mast systems. Of high performance and compact design, these floodlights provide precision optical control coupled with reduced weight and windage compared to conventional stadium floodlighting.

Suitable for use on masts at heights above 20m, it is an ideal choice for use in new stadia or in upgrading existing installations.

For use with double ended 2KW or 1KW Metal Halide lamps.

Featuring:-

- Body of high-pressure die cast aluminium, finished in light grey (RAL7035), Polyester powder coating.
- Narrow, Medium and Wide beam light distributions.
- Reflector system of high purity, polished and anodised aluminium. Incorporating an internal baffle to improve efficiency and reduce glare.
- Toughened front glass, secured by an aluminium clamping frame.
- Galvanised steel stirrup, with additional locking screws.
- IP65; with silicone rubber gasketing.
- Electrical connection box (IP65) housing Ignitor, located on side of stirrup.
- Easy access for re-lamping via opening of the rear cover. Positive closure via large stainless steel catch.
- Designed to accept double ended, short arc 2KW & 1KW Metal Halide lamps.
- Dual provision on side of floodlight body to attach a Gun Sight aiming device to allow accurate beam alignment.

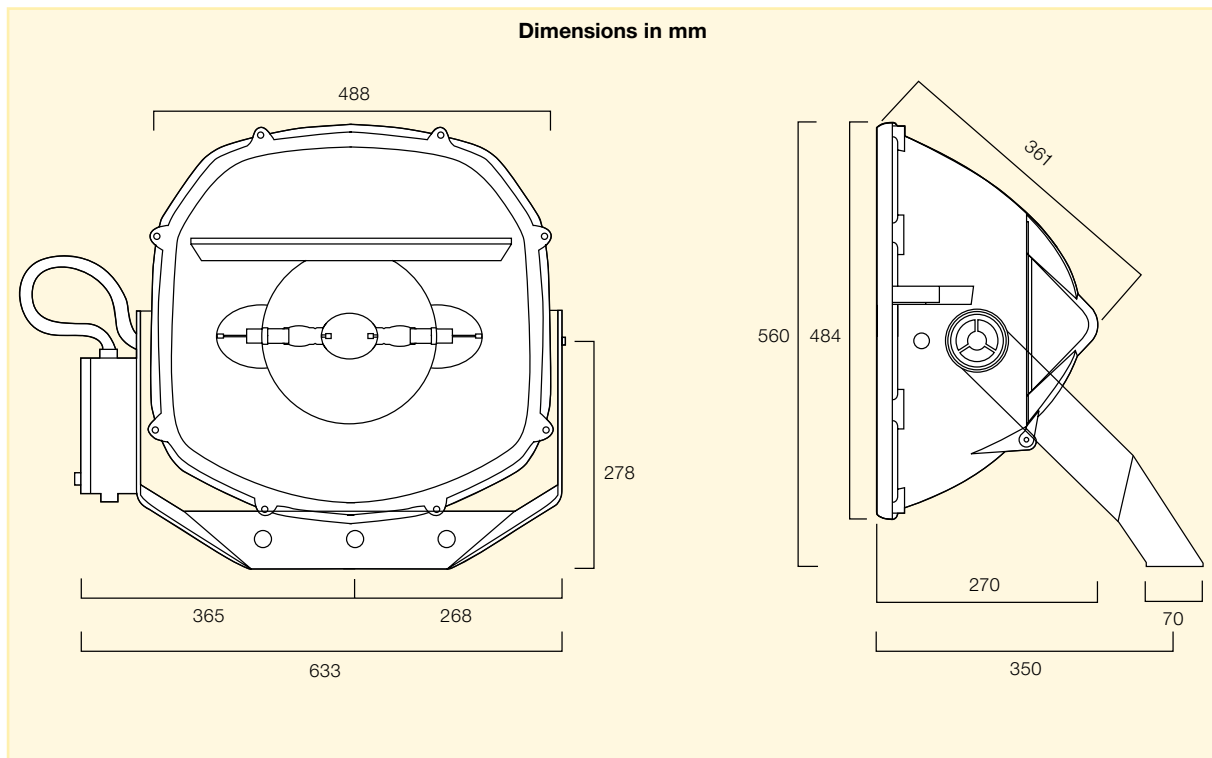
floodlighting - *Challenger[®] 3* AL5900 series



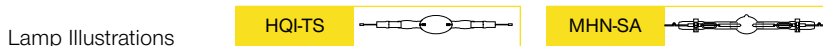
Lamp technical data	OSRAM	PHILIPS	PHILIPS
Lamp Ref:	HQI-TS2000/D/S	MHN-SA 2KW 400 V/856	MHN-SA 2KW 400 V/956
Colour Temperature:	5600K	5600K	5600K
Lamp Lumen Output:	200,000 I.Lm	200,000 I.Lm	180,000 I.Lm
Lamp Current:	10.3A	10.3A	11.3A
Supply Circuit			
3-Phase:	380/400/415V	380/400/415V	380/400/415V
Supply Current:			
Starting:	9A	11A	11A
Running:	6A	6.6A	6.6A
Total Circuit Power:	2105W	2116W	2136W
RA:	93	85	90

Weight: 15.28 Kg (with ignitor and without lamp) Windage: 0.196 sqm @ 70° elevation

floodlighting - **Challenger[®] 3** AL5900 series

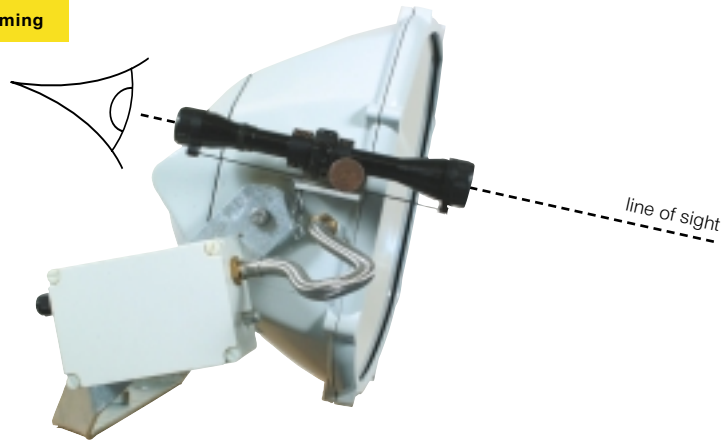


Model No.	Lamp Wattage and Type	Lamp Manufacturer	Lamp Holder/support	Description
AL5901	2KW HQI-TS 2000WDS	Radium / Osram	K12s-7 cable	Narrow Beam
AL5902	2KW HQI-TS 2000WDS	Radium / Osram	K12s-7 cable	Medium Beam
AL5903	2KW HQI-TS 2000WDS	Radium / Osram	K12s-7 cable	Wide Beam
AL5904	1KW HQI-TS 1000WDS	Radium / Osram	K12s-7 cable	Narrow Beam
AL5905	1KW HQI-TS 1000WDS	Radium / Osram	K12s-7 cable	Medium Beam
AL5906	1KW HQI-TS 1000WDS	Radium / Osram	K12s-7 cable	Wide Beam
AL5907	MHN-SA 2KW 400 V/856 or 956	Philips	X830/rod	Narrow Beam
AL5908	MHN-SA 2KW 400 V/856 or 956	Philips	X830/rod	Medium Beam
AL5909	MHN-SA 2KW 400 V/856 or 956	Philips	X830/rod	Wide Beam



floodlighting - *Challenger*[®] 3 AL5900 series

Aiming



Optical gun sight fixings are incorporated ensuring simple alignment and attachment of gun sight.

Relamping



Simple lamp changing via opening back cover using a clip system ensures ease of maintenance

Registered design in the following countries

Austria	RegD No 38432
Benelux	RegD No 32055-02
Canada	RegD No 92130
China	RegD No 00301207.7
Denmark	RegD No MR2000813
Eire	RegD No D13052
France	RegD No 001139
Germany	RegD No 49911610.0
Greece	RegD No 600682
Hong Kong	RegD No 9911680.2M002
India	RegD No 182048
Sweden	RegD No 66653
Switzerland	RegD No 126663
UK	RegD No 2086397
USA	Patent No D440338

